

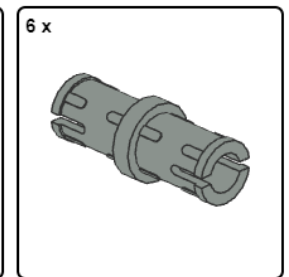
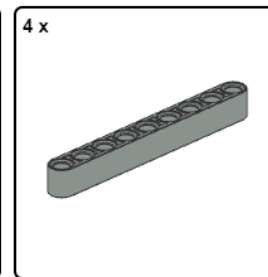
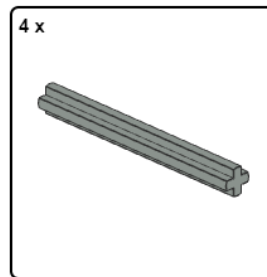
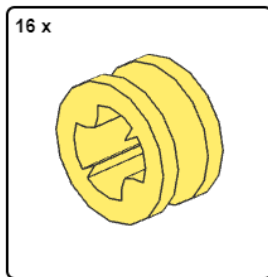
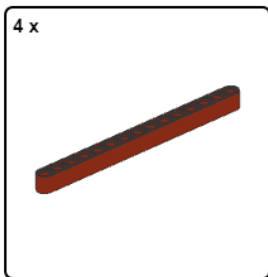
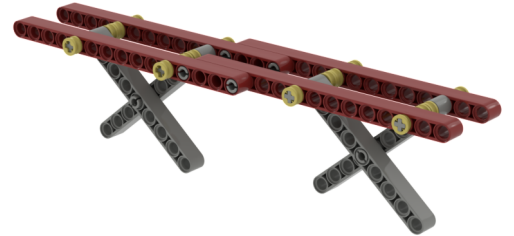
# BRIDGE



Level : ★★

Steps : 4

Bricks : 34

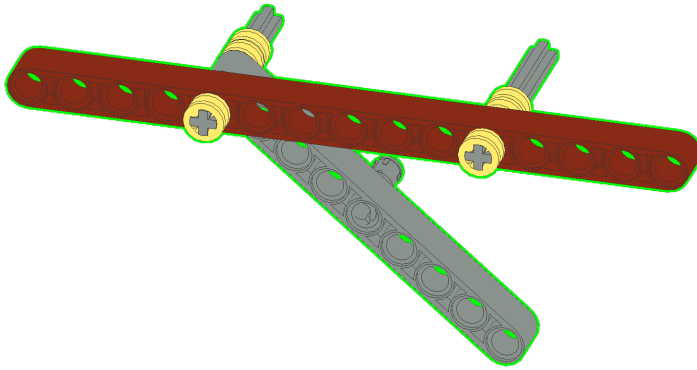
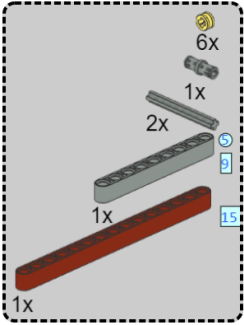




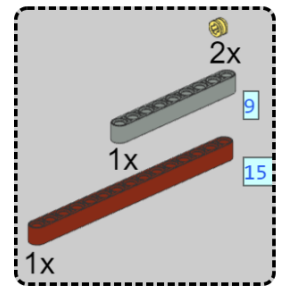
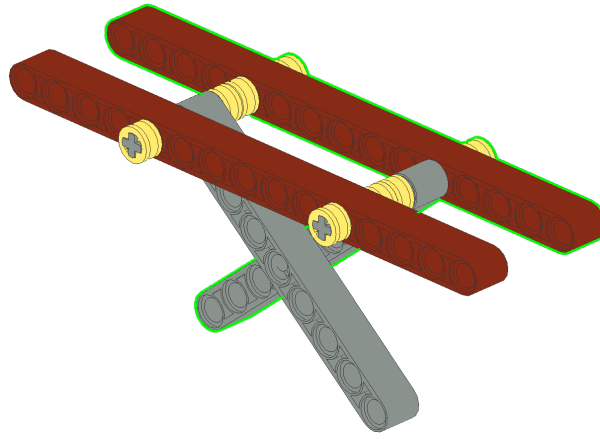
# BRIDGE ★★



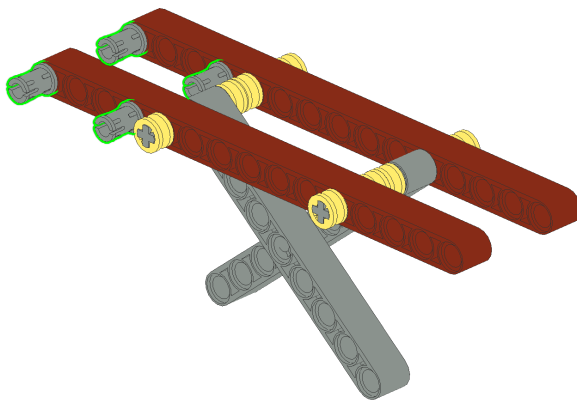
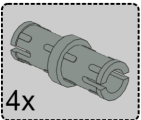
1



2



3



4

